

SV 1821

Safety valves

Technical Data Sheet



Description

The Safety valves SV 1821 are used for water. It is used to evacuate a pressure as soon as a certain value is exceeded. (value determined by same valve).

- Setting :
 - DN3/8" and DN1/2" : minimum 0.5 bar / maximum 16 bar
 - DN3/4" to DN2" : minimum 0.5 bar / maximum 10 bar (version 16 bar in option)
 - DN2 1/2" and DN3" : minimum 0.5 bar / maximum 10 bar
- No pre-setting in stander (on request, possibility to pre-set)
- Optional : lead sealing + certificate



SV 1821

Safety valves

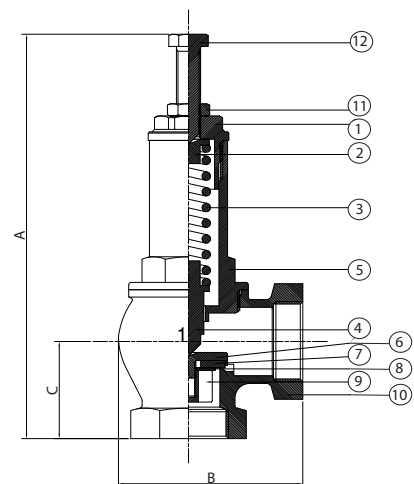
DN	PFA in bar	Ref.	Weight Kg
3/8	16	149B6834	0,295
1/2	16	149B6835	0,340
3/4	10	149B6836	0,610
1	10	149B6837	0,900
1 1/4	10	149B6838	1,380
1 1/2	10	149B6839	1,830
2	10	149B6840	2,875
2 1/2	10	149B6841	4,500
3	10	149B6842	5,200

Technical features

Operating temperature	0 °C to 70 °C
Permissible operating pressure (PFA) in water	See table above
Connection	Female/female, BSP thread
Mediums	Water

Nomenclature and materials

N°	Designation	Materials	EURO	
1	Closing system	DN 3/8" - 1"1/2	Brass	CB491K
		DN 2"	Brass	CB491K
		DN 2"1/2 - 3"	Bronze	CB491K
2	Shoot-spring			
3	Spring	Galvanized steel	EN 10270-1 SM	
4	Shoot-plug			
5	Face	DN 3/8" - 1"1/2	Brass	EN12165-CW617N
		DN 2"	Brass	EN1982-CB753S
		DN 2"1/2 - 3"	Bronze	EN1982- CB491K
6	Support seal			
7	Seal	SBR		
8	Washer			
9	Guide seal stop			
10	Body	DN 3/8" - 2"	Brass	EN 1982-CB753S
		DN 2"1/2 - 3"	Bronze	EN 1982-CB491K
11	Nut			
12	Screw			



Approvals

International construction Standards :
Thread connection NFE 03-005 ISO 228

Application

The safety valve type SV1821 is designed to evacuate the pressure for water.

Operation

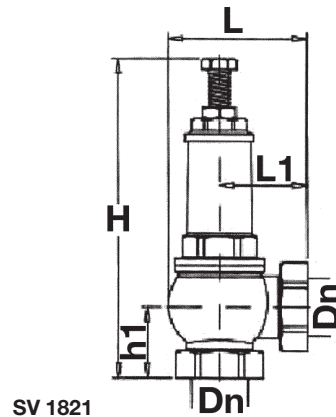
H2O discharge flow rate (m3/h)

P tar	3/8"	1/2"	3/4"	1"	1"1/4	1"1/2	2"	2"1/2	3"
1	2,9	4,8	10,2	18,7	27,2	40,8	65,1	115,8	169,7
2	3,6	5,8	12,5	22,9	33,3	50,0	79,7	141,8	207,9
3	4,2	6,8	14,4	26,4	38,4	57,7	92,1	163,7	240,0
4	4,6	7,6	16,1	29,5	42,9	64,5	103,0	183,0	268,4
5	5,1	8,3	17,7	32,3	47,0	70,7	112,8	200,5	294,0
6	5,5	8,9	19,1	34,9	50,8	76,3	121,8	216,6	317,6
7	5,9	9,6	20,4	37,3	54,3	81,6	130,2	231,5	339,5
8	6,2	10,1	21,6	39,6	57,6	86,6	138,1	245,6	360,1
9	6,6	10,7	22,8	41,7	60,7	91,2	145,6	258,8	379,5
10	6,9	11,2	23,9	43,8	63,7	95,7	152,7	271,5	398,1
11	7,2	11,7	25,0	45,7	66,5	100,0	159,5		
12	7,5	12,2	26,0	47,6	69,2	104,0	166,0		
13	7,8	12,6	27,0	49,4	71,9	108,0	172,3		
14	8,1	13,1	27,9	51,1	74,4	111,8	178,3		
15	8,3	13,5	28,9	52,8	76,8	115,4	184,2		
16	8,6	13,9	29,7	54,4	79,2	119,0	189,8		

For other fluids, contact us.

Sizing

DN	L	L1	H	h1
"	mm	mm	mm	mm
3/8	46	28	115	24
1/2	56	35	130	30
3/4	64	39	158	32
1	76	47	163	40
1 1/4	90	56	192	44
1 1/2	100	63	215	47
2	124	75	247	60
2 1/2	135	79	280	69
3	145	84	293	77



The descriptions and photographs contained in this product specification sheet are supplied by way of information only and are not binding.

Socla reserves the right to carry out any technical and design improvements to its products without prior notice. Warranty : All sales and contracts for sale are expressly conditioned on the buyer's assent to Socla terms and conditions found on its website at www.socla.com. Socla hereby objects to any term, different from or additional to Socla terms, contained in any buyer communication in any form, unless agreed to in a writing signed by an officer of Socla.

Socla

A WATTS Brand

Socla sas

365 rue du Lieutenant Putier • 71530 Virey-Le-Grand • France

Tel. +33 03 85 97 42 00 • Fax +33 03 85 97 42 42

contact@wattswater.com • www.socla.com

ISO 9001 version 2015 / ISO 18001