

635E

Non-return valve with single plate
05 System

Technical Data Sheet



Description

Non-return valve with single cataphoresis coated steel plate :

- Can be installed horizontally or vertically upwards
- Compact
- Robust and reliable
- Simple design, easy installation



635E

Non-return valve with single plate - 05 System

DN in mm	PN	PFA in bar	PS in bar				Cat.	Ref.	Weight kg
			L1	L2	G1	G2			
40	10/16	16	16	16	16	16	I	149G3550	0,785
50	10/16	16	16	16	16	16	I	149G3551	0,940
65	10/16	16	16	16	15	16	I	149G3552	1,400
80	10/16	16	16	16	12	16	I	149F021283	1,680
100	10/16	16	16	16	10	16	I	149F021284	2,050
125	10/16	16	16	16	0,5	16	I	149F021285	2,920
150	10/16	16	13	16	0,5	16	I	149F021286	4,350
200	10	10	10	10	0,5	10	I	149F021287	8,840
250	10	10	10	10	0,5	10	I	149F021288	15,170
300	10	10	10	10	0,5	10	I	149F021289	23,450

NB : PN16 version : Please consult us

Important notice :

The indicated pressure for the different categories of fluids (L1/L2/G1/G2) is under no condition a guarantee of use.

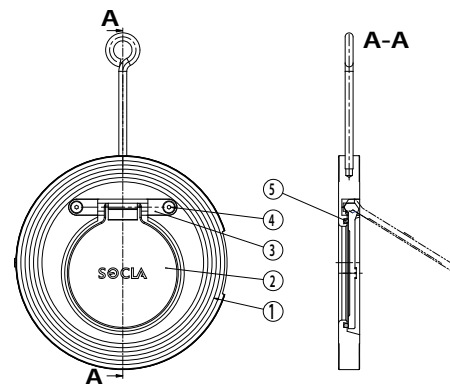
Therefore, it is essential to validate the use of products under given operating conditions. The operating instructions are available on our website www.socla.com or by requesting from our sales department.

Technical features

Operating temperature	-10 °C to 110 °C
Permissible operating pressure (PFA) in water	See table above
Maximum permissible pressure (PS) other mediums	See table above
Connection	Flanges drilled PN (see table)
Maximum service velocity	5m/s
Mediums	Clear liquids

Nomenclature and materials

N°	Description	Materials	EURO	ANSI
1	Body	Cataphoresis coated steel	GP240GH	
2	Disc	Cataphoresis coated steel	GP240GH	
3	Disc holding	Stainless steel	X5CrNi18-10	AISI 304
4	Screw	Stainless steel	X5CrNi18-10	AISI 304
5	Seal	EPDM		



Approvals



International construction Standards :
Directive 2014/68/UE
Flange drilling according to EN 1092-2

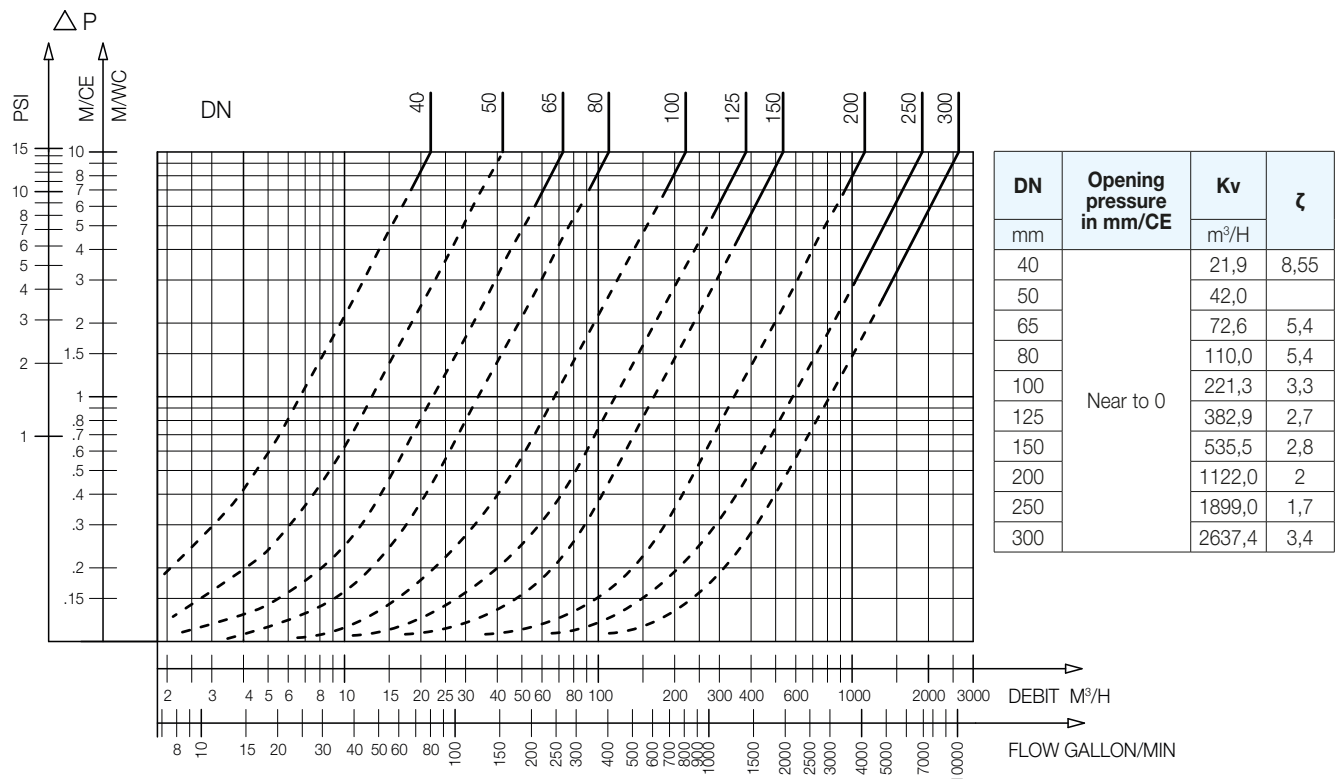
Application

Main circuits, industrial processes : air-conditioning, heating, water treatment, pumping, water supply, water distribution

Operation

Direction for use :

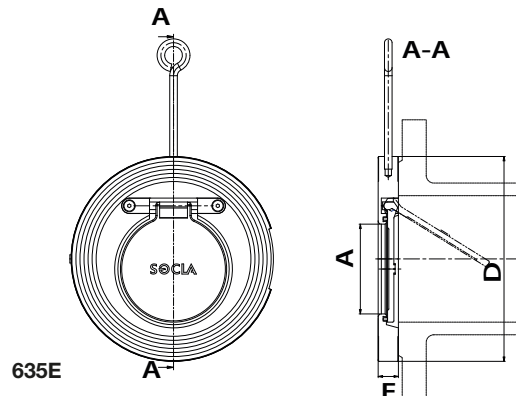
- Solid line: Valve completely open
- Dotted line: opening stage of valve



635E - Headloss chart

Sizing

DN	A	D	E
mm	mm	mm	mm
40	22	94	16
50	32	106	16
65	42	129	16
80	53	144	16
100	71	162	16
125	94	194	16
150	114	220	19
200	164	275	28
250	199	331	32
300	240	380	38



The descriptions and photographs contained in this product specification sheet are supplied by way of information only and are not binding. Socla reserves the right to carry out any technical and design improvements to its products without prior notice. Warranty : All sales and contracts for sale are expressly conditioned on the buyer's assent to Socla terms and conditions found on its website at www.socla.com. Socla hereby objects to any term, different from or additional to Socla terms, contained in any buyer communication in any form, unless agreed to in a writing signed by an officer of Socla.

SOCLA

A WATTS Brand

Socla sas

365 rue du Lieutenant Putier • 71530 Virey-Le-Grand • France
 Tel. +33 03 85 97 42 00 • Fax +33 03 85 97 42 42
contact@wattswater.com • www.socla.com
 ISO 9001 version 2015 / ISO 18001